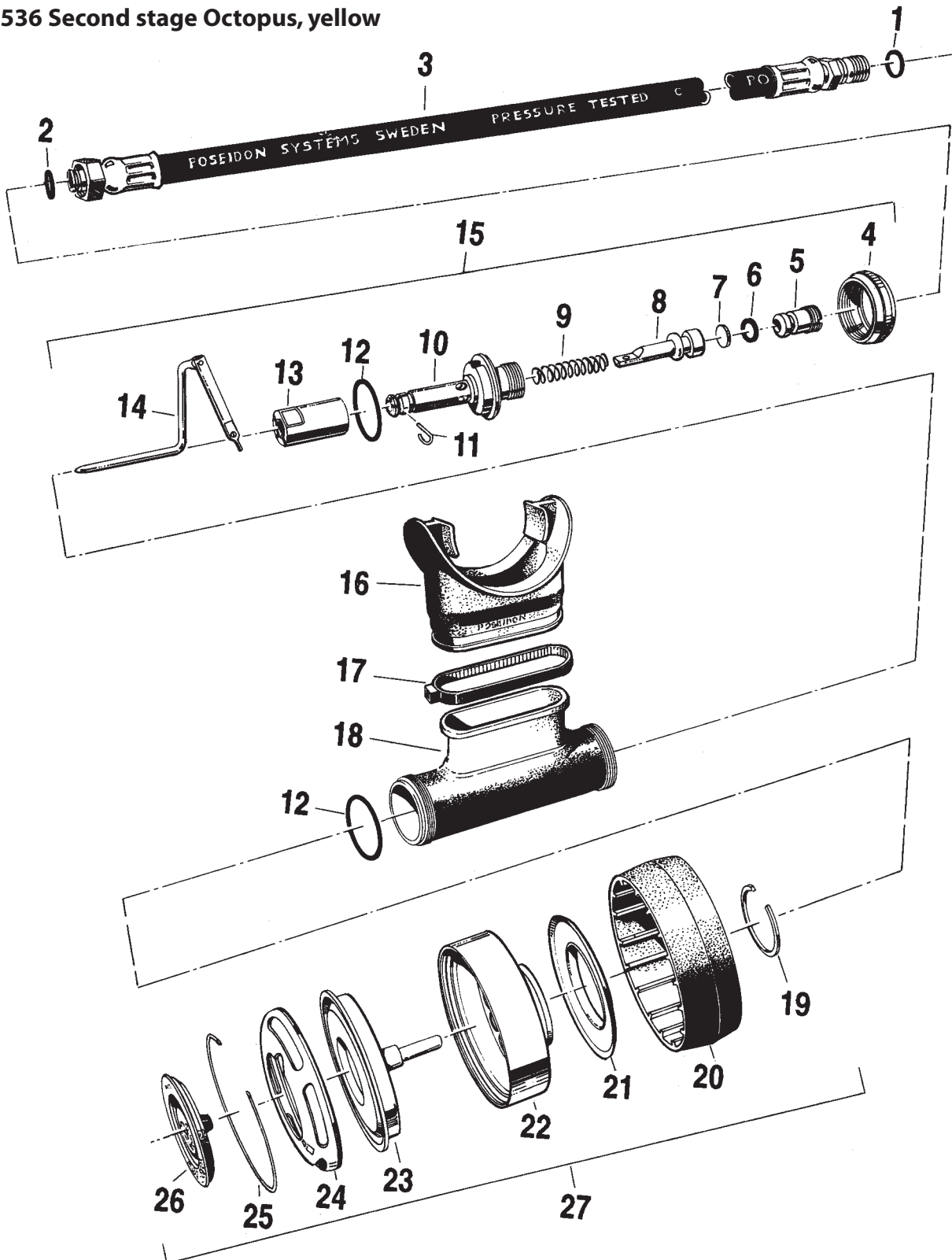


1133 Second stage Cyklon 300, yellow/black
 3354 Second stage Cyklon 5000 (Diveair), black
 3536 Second stage Octopus, yellow



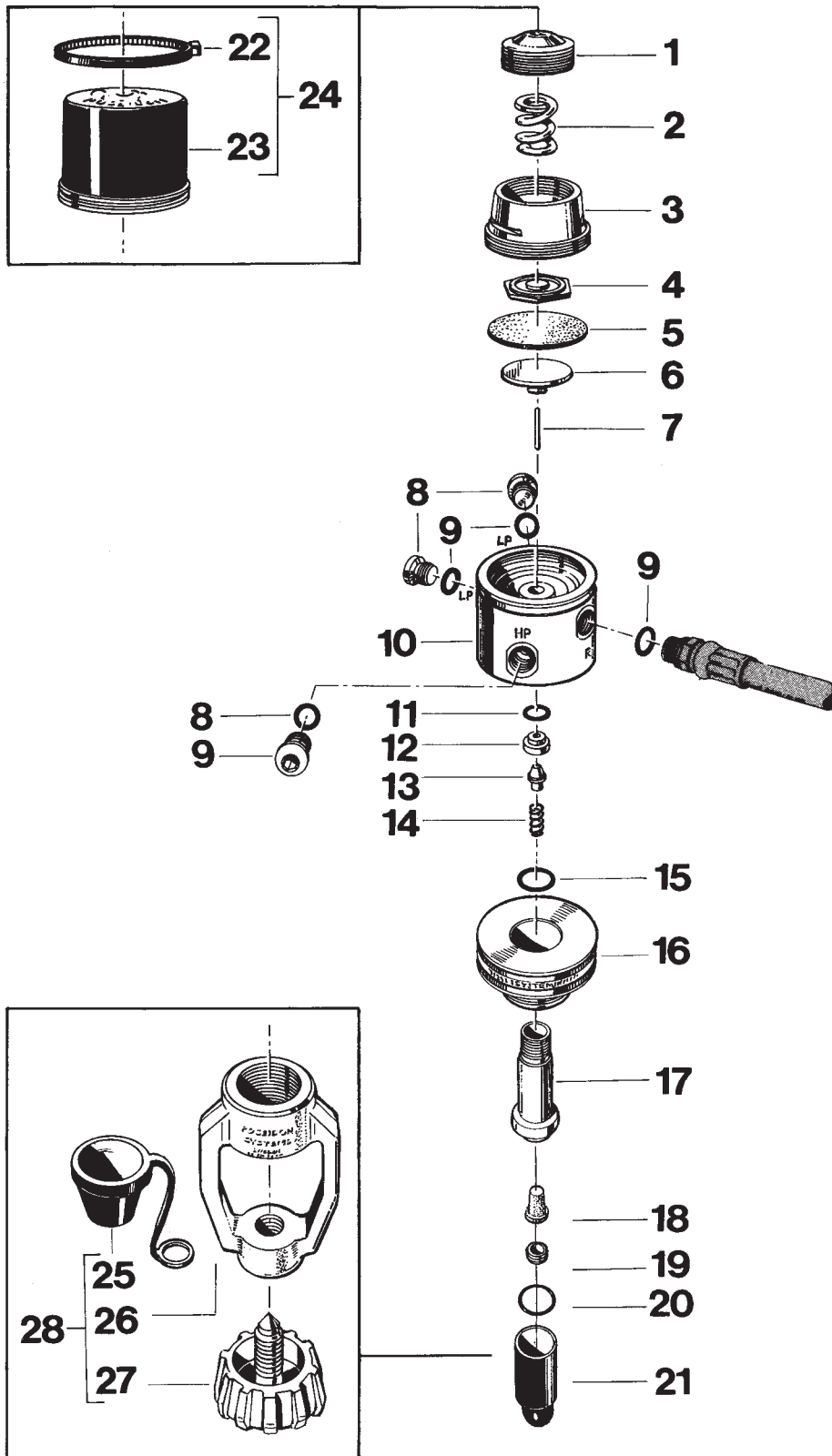


1133 Second stage Cyklon 300, yellow/black
3354 Second stage Cyklon 5000 (Diveair), black
3536 Second stage Octopus, yellow

Pos.	No.	
1	2782	O-ring
2	1156	O-ring
3	2946	Low pressure hose 70 cm UNF 3/8"
	2947	Low pressure hose 90 cm UNF 3/8"
4	1166	Connecting ring
5	1165	Valve seat
6	1164	O-ring
7	1162	Rubber plate
8	2429	Valve piston
9	1157	Pressure spring
10	1163	Valve housing
11	1155	Lever pin
12	1145	O-ring (2 pcs)
13	2307	Ejector sleeve
14	1151	Operating device
15	1150	Low pressure valve (incl. 5-14)
16	3202	Mouth piece
17	1167	Locking strap
18	3200 10	Mouth piece tube black
	3200 30	Mouth piece tube yellow
19	1144	Locking ring
20	1999 10	Cover for exhalation diaphragm, black
	1999 30	Cover for exhalation diaphragm, yellow
21	2579	Exhalation diaphragm
22	1141	Diaphragm, housing
23	2577	Inhalation diaphragm
24	2001	Cover for inhalation diaphragm
25	1140	Locking ring
26	2004	Purge button
27	2000 10	Diaphragm housing incl. 19-26, black
	2000 30	Diaphragm housing incl. 19-26, yellow



2305 First stage, Cyklon 300





2305 First stage, Cyklon 300

Pos.	No.	
1	3417	Pressure adjusting screw
2	2802	Secondary spring
3	2814	Cover for valve housing
4	2815	Diaphragm centre, upper
5	1189	Diaphragm
6	1176	Diaphragm centre, lower
7	2182	Valve needle
8	2807	Blind screw
9	1013	Gasket
10	2306	Valve housing
11	1156	O-ring
12	2302	Valve seat
13	1179	Valve piston
14	1180	Pressure spring
15	1233	O-ring
16	2222	Wheel G5/8
17	2175	Connection
18	1377	Cup type filter
19	1183	Locking screw
20	1007	O-ring
21	2402	Protective cap
22*	2778	Locking strap
23*	1287	Anti-freeze cap
24*	1286	Anti-freeze cap with locking strap
25*	2277	Protective cap
26*	2921	Yoke
27*	2922	Knob
28*	2920	Yoke complete incl. 26-28

*Accessories



2801 First stage, Wheel G 5/8"

2808 First stage, Yoke

Maximum

Pos.	No.	Description
1*	2778	Plastic band (extra)
2*	1287	Anti-freeze cap (extra)
3*	1286	Anti-freeze cap incl. plastic band (extra)
4	3417	Pressure adjusting screw
5	2802	Secondary spring
6	2814	Cover for reducing valve housing
7	3419	Diaphragm centre, upper
8	1189	Diaphragm
9	2816	Diaphragm centre, lower
10	2817	Valve needle
11	2807	Blind screw
12	1562	O-ring
13	2819	Valve housing
14	1156	O-ring
15	2803	Valve seat
16	2820	Valve piston
17	2821	Spacing sleeve
18	1368	O-ring
19	2822	Washer
20	2809	O-ring
21	2823	Balanced housing
22	3388	Spring piston
23	3387	Pressure spring
24	2277	Protective cap
25	1227	Knob
26	1841	Yoke
27	1183	Locking screw
28	1377	Cup filter
29	2825	Connection Yoke
30	1839	O-ring
31	2402	Protective cap
32	1007	O-ring
33	2830	Connection G5/8"
34	2828	Wheel G5/8"

*Accessories

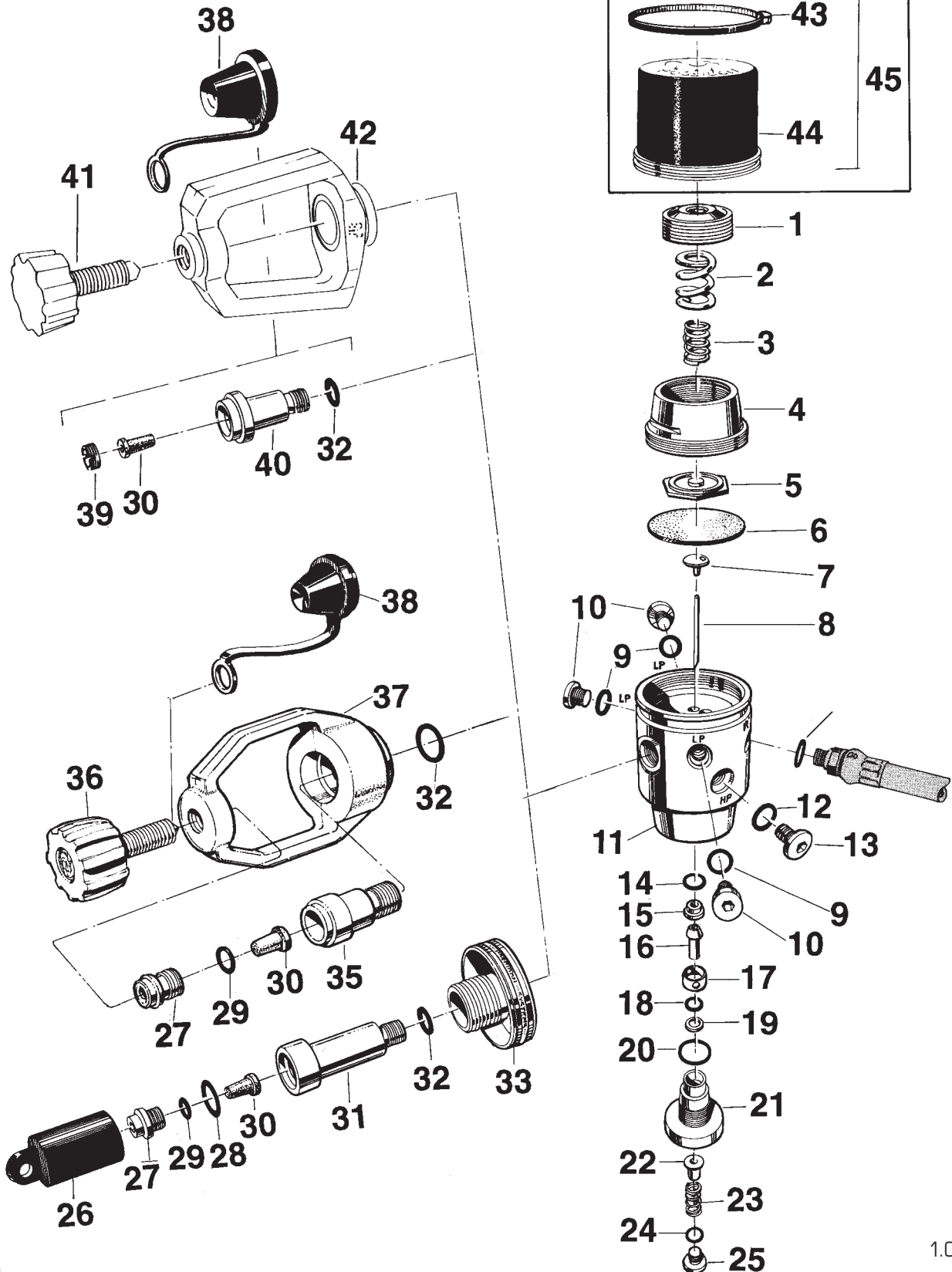


2961 Second stage Jetstream,USA=Odin, Black
2941 Second stage Jetstream,USA=Odin, Yellow/Black
3546 Second stage Octopus, Yellow

Pos.	No.	
1	2782	O-ring
2	2943	Low pressure hose with safety valve 70 cm UNF 3/8"
	2944	Low pressure hose with safety valve 90 cm UNF 3/8"
3	2856	O-ring
4	2857	Low pressure valve housing
5	1145	O-ring
6	3440	Valve insert
7	1233	O-ring
8	2974	Valve housing nut
9	2875	Stop screw
10	2787	Rubber plate
11	2876	O-ring
12	2839	Valve tube
13	1896	O-ring
14	2786	Servo valve complete
15	3088	Low pressure valve incl. 3-15
16	3202	Mouth piece
17	1167	Locking strap
18	2711	Switch
19	1851	O-ring
20	3121	Housing (cannot be bought separately)
21	2794	Lock washer
22	2712	Diaphragm cam
23	3122	Housing, second stage incl. 18-22,black
	3132	Housing, second stage incl. 18-22, yellow
24	2578	Diaphragm
25	2707	Cover for second stage, black
	2989	Cover for second stage, yellow
26	2851	Screw (4 pcs)
27	2853	Purge button
28	3124	Housing complete incl. 16-27, black
	3104	Housing complete incl. 16-27, yellow
	3134	Housing complete incl. 16-27, yellow/black



- 2962 First stage, Jetstream (USA = ODIN)
- 2962-10 First stage, Jetstream YOKE
- 3257 First stage, Diveair (USA = Cyklon 5000)
- 3257-10 First stage, Cyklon 5000 (Diveair) YOKE





2962 First stage, Jetstream (USA = ODIN)

2962-10 First stage, Jetstream YOKE

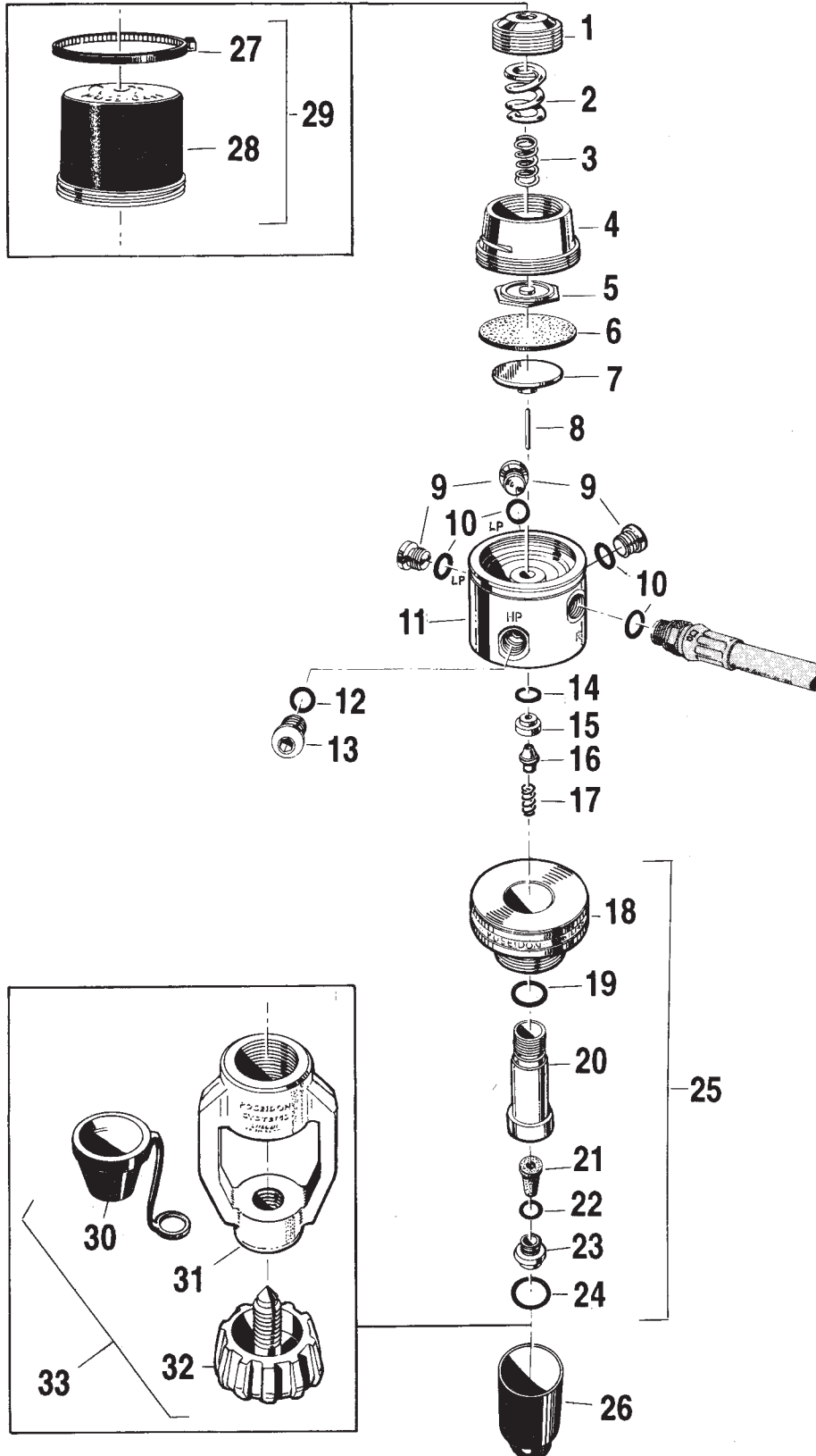
3257 First stage, Diveair (USA = Cyklon 5000)

3257-10 First stage, Cyklon 5000 (Diveair) YOKE

Pos.	No.		Pos.	No.	
1	3417	Pressure adjusting screw	36	2922	Knob
2	2802	Pressure spring, outer	37	3473	Yoke
3	3418	Pressure spring, inner	38	2277	Protective cap
4	2814	Cover for valve housing	39	1183	Locking screw
5	3419	Diaphragm centre, upper	40	2825	Connection
6	1189	Diaphragm	41	1227	Knob
7	2816	Diaphragm centre, lower	42	1841	Yoke
8	2817	Valve needle	43*	2778	Locking strap
9	2782	O-ring (4 pcs)	44*	1287	Anti-freeze cap
10	2679	Blind screw UNF 3/8" (3 pcs)	45*	1286	Anti-freeze cup with locking strap
11	2678	Valve housing, Jetstream			
	3258	Valve housing, Cyklon 5000			
12	2918	O-ring			
13	2680	Blind screw UNF 7/16"			*Accessories
14	1156	O-ring			
15	2803	Valve seat			
16	2820	Valve piston			
17	2821	Spacing sleeve			
18	1368	O-ring			
19	2822	Washer			
20	2809	O-ring			
21	2823	Balanced housing			
22	3388	Spring guidance			
23	3387	Pressure spring			
24	1562	O-ring			
25	2807	Blind screw G1/8"			
26	2402	Protective cap			
27	3096	Locking screw			
28	1007	O-ring			
29	2656	O-ring			
30	1377	Cup type filter			
31	2827	Connection			
32	1839	O-ring			
33	2828	Wheel G5/8"			
34	2966	Connection incl. 27-33			
35	3472	Connection			



3070 First stage, Cyklon 300 and Oceanair (USA=Thor)





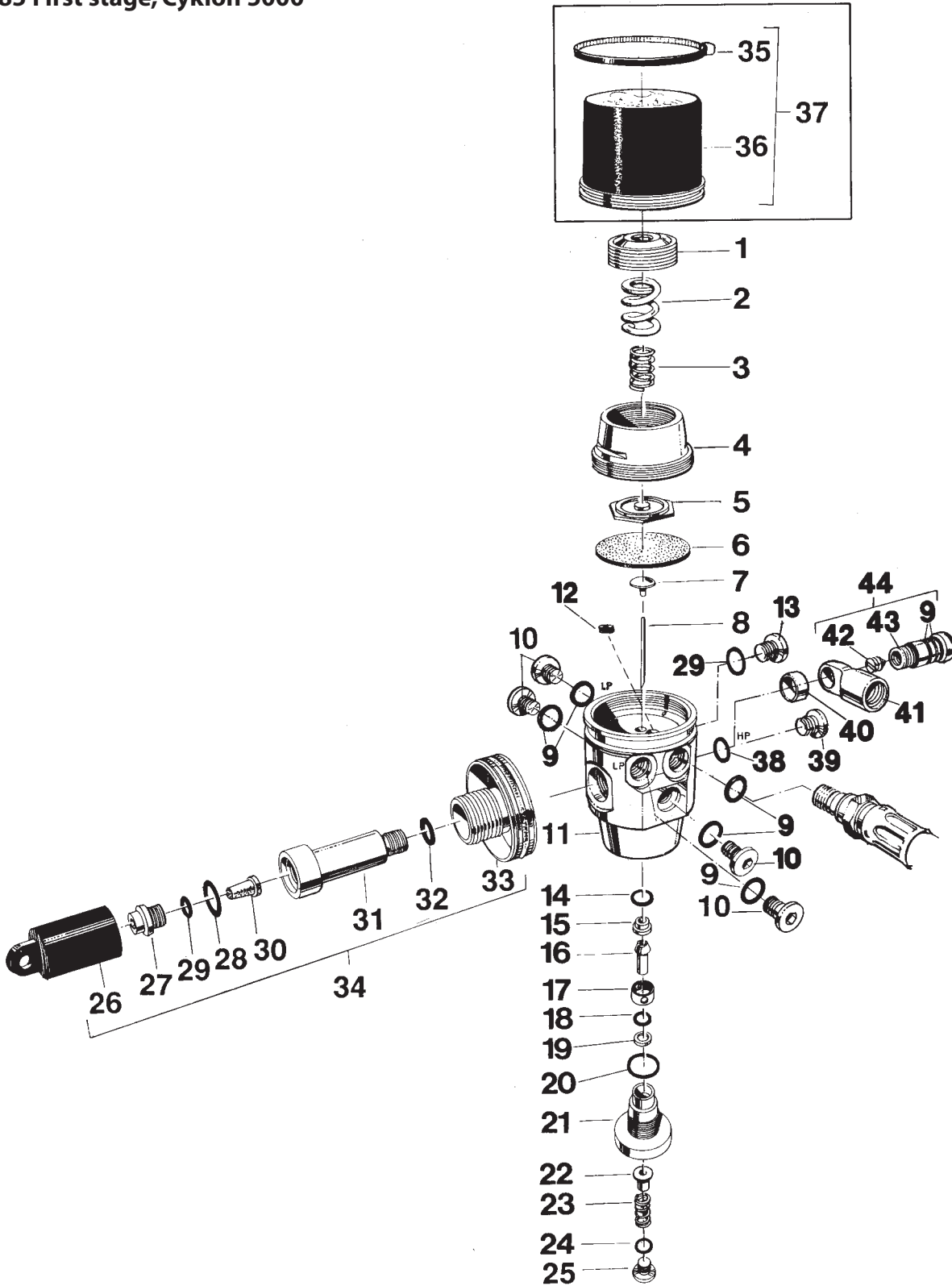
3070 First stage, Cyklon 300 and Oceanair (USA=Thor)

Pos.	No.	
1	3417	Pressure adjusting screw
2	2802	Pressure spring, outer
3	3418	Pressure spring, inner
4	2814	Cover for valve housing
5	2815	Diaphragm centre, upper
6	1189	Diaphragm
7	1176	Diaphragm centre, lower
8	2182	Valve needle
9	2679	Blind screw UNF 3/8" (3pcs)
10	2782	O-ring (4st)
11	3023	Valve housing
12	2918	O-ring
13	2680	Blind screw UNF 7/16
14	1156	O-ring
15	2302	Valve seat
16	1179	Valve piston
17	1180	Pressure spring
18	2424	Wheel G5/8"
19	1233	O-ring
20	2423	Connection
21	1377	Cup type filter
22	2656	O-ring
23	3096	Locking screw
24	1007	O-ring
25	2965	Connection incl. 18-24
26	2402	Protective cap
27*	2778	Locking strap
28*	1287	Anti-freeze cap
29*	1286	Anti-freeze cap with locking strap
30*	2277	Protective cap
31*	2921	Yoke
32*	2922	Knob
33*	2920	Yoke complete incl. 30-32

*Accessories



3580 First stage, Jetstream
3585 First stage, Cyklon 5000





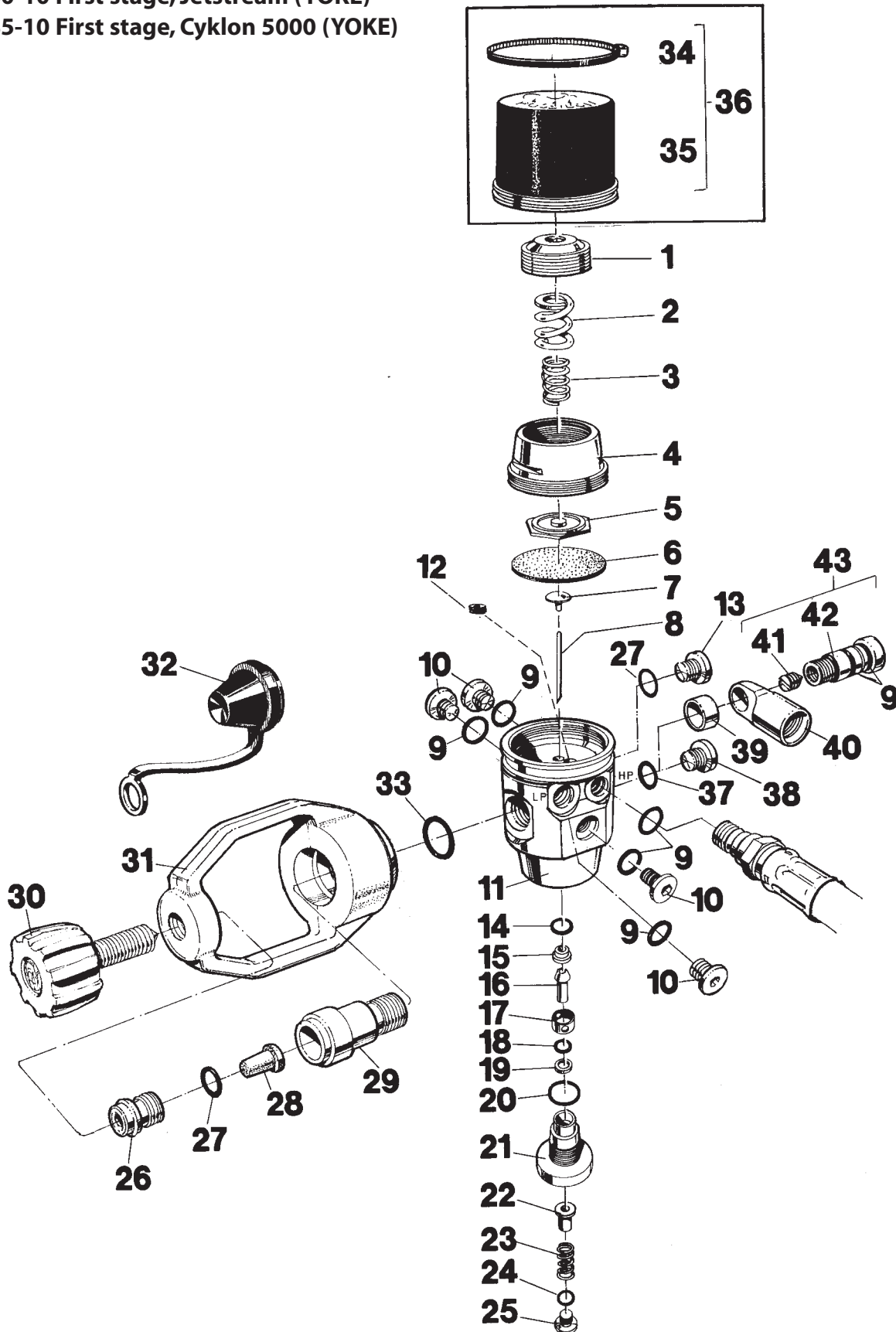
3580 First stage, Jetstream

3585 First stage, Cyklon 5000

Pos.	No.				
1	3417	Adjusting screw	38	2918	O-ring
2	2802	Pressure spring, outer	39	2680	Blind screw UNF 7/16"
3	3418	Pressure spring, inner	40	3294	Spacer ring
4	2814	Cover	41	3293	Banjo housing
5	3419	Diaphragm centre, upper	42	1095	Restrictor screw
6	1189	Diaphragm	43	3292	Banjo screw
7	2816	Diaphragm centre, lower	44	3291	Banjo coupling UNF 7/16"
8	2817	Valve needle			incl. 9, 38, 40-43
9	2782	O-ring (7 pcs)			
10	2679	Blind screw UNF 3/8" (4 pcs)			*Accessories
11	3581	Valve housing			
12	3587	Restrictor screw for first stage No. 3585 Cyklon 5000			
13	3024	Blind screw M 7x1			
14	1156	O-ring			
15	2803	Valve seat			
16	2820	Valve piston			
17	2821	Spacing sleeve			
18	1368	O-ring			
19	2822	Washer			
20	2809	O-ring			
21	2823	Balanced housing			
22	3388	Spring guidance			
23	3387	Pressure spring			
24	1562	O-ring			
25	2807	Blind screw G 1/8			
26	2402	Protective cup			
27	3096	Locking screw			
28	1007	O-ring			
29	2656	O-ring (2 pcs)			
30	1377	Cup-type filter			
31	2827	Connection			
32	1839	O-ring			
33	2828	Wheel G 5/8			
34	2966	Connection incl. 27-33			
35	2778	Locking strap*			
36	1287	Anti-freeze cap*			
37	1286	Anti-freeze cap incl. 35-36*			



3580-10 First stage, Jetstream (YOKE)
3585-10 First stage, Cyklon 5000 (YOKE)





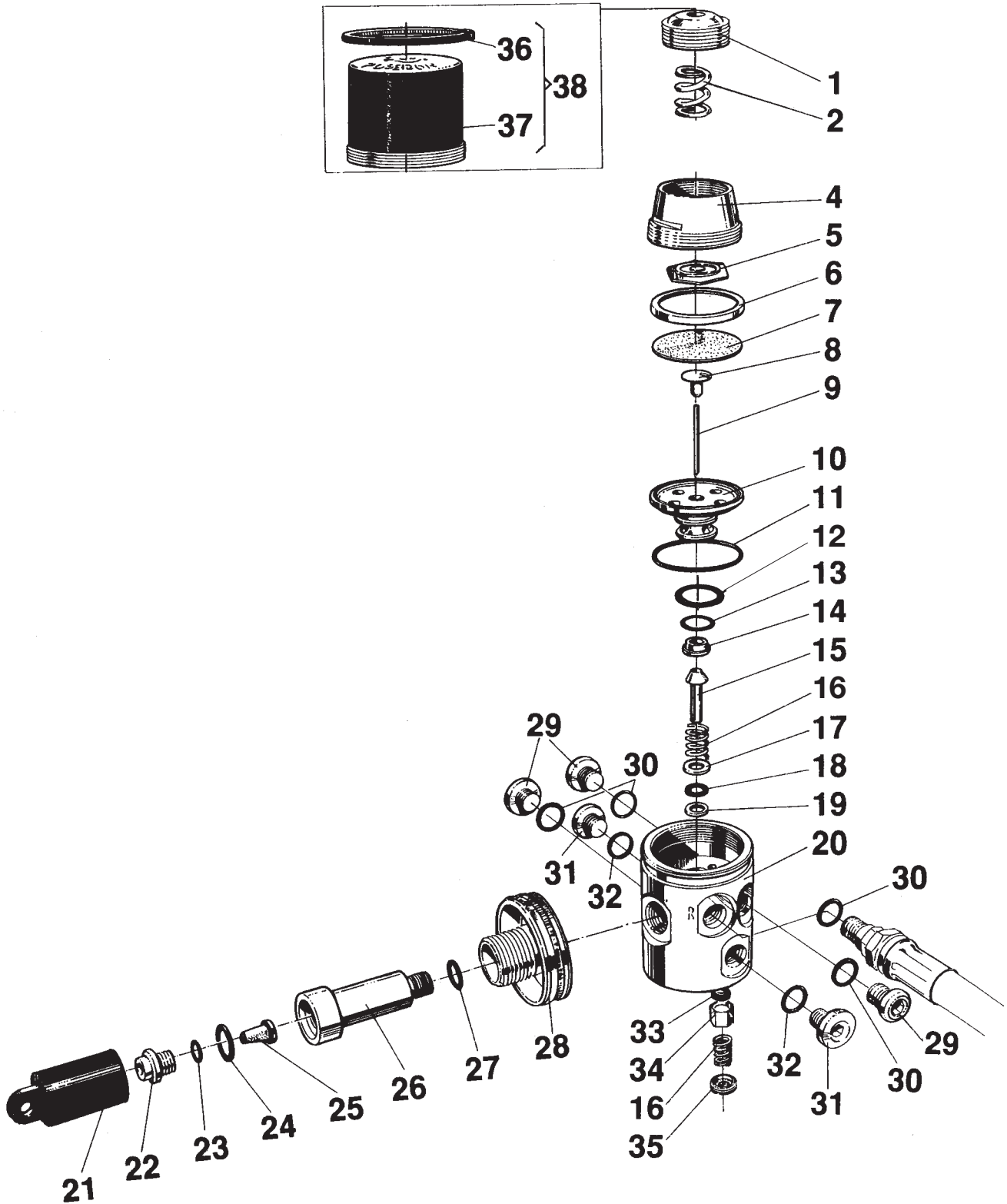
3580-10 First stage, Jetstream (YOKE)

3585-10 First stage, Cyklon 5000 (YOKE)

Pos.	No.				
1	3417	Adjusting screw	38	2680	Blind screw UNF 7/16"
2	2802	Pressure spring, outer	39	3294	Spacer ring
3	3418	Pressure spring, inner	40	3293	Banjo housing
4	2814	Cover	41	1095	Restrictor screw
5	3419	Diaphragm, centre, upper	42	3292	Banjo screw
6	1189	Diaphragm	43	3291	Banjo coupling UNF 7/16"incl. 9,37,39-42
7	2816	Diaphragm. centre, lower			
8	2817	Valve needle			
9	2782	O-ring (7 pcs)			*Accessories
10	2679	Blind screw UNF 3/8" (4 pcs)			
11	3581	Valve housing			
12	3587	Restrictor screw for first stage No. 3585 10 Cyklon 5000			
13	3024	Blind screw M 7x1			
14	1156	O-ring			
15	2803	Valve seat			
16	2820	Valve piston			
17	2821	Spacing sleeve			
18	1368	O-ring			
19	2822	Washer			
20	2809	O-ring			
21	2823	Balanced housing			
22	3388	Spring guidance			
23	3387	Pressure spring			
24	1562	O-ring			
25	2807	Blind screw G 1/8"			
26	3096	Locking screw			
27	2656	O-ring			
28	1377	Cup-type filter			
29	3472	Connection			
30	2922	Knob			
31	3473	Yoke			
32	2277	Protective cap			
33	1839	O-ring			
34	2778	Locking strap*			
35	1287	Anti-freeze cap*			
36	1286	Anti-freeze cap incl. 34-35*			
37	2918	O-ring			



3790 First stage G 5/8"





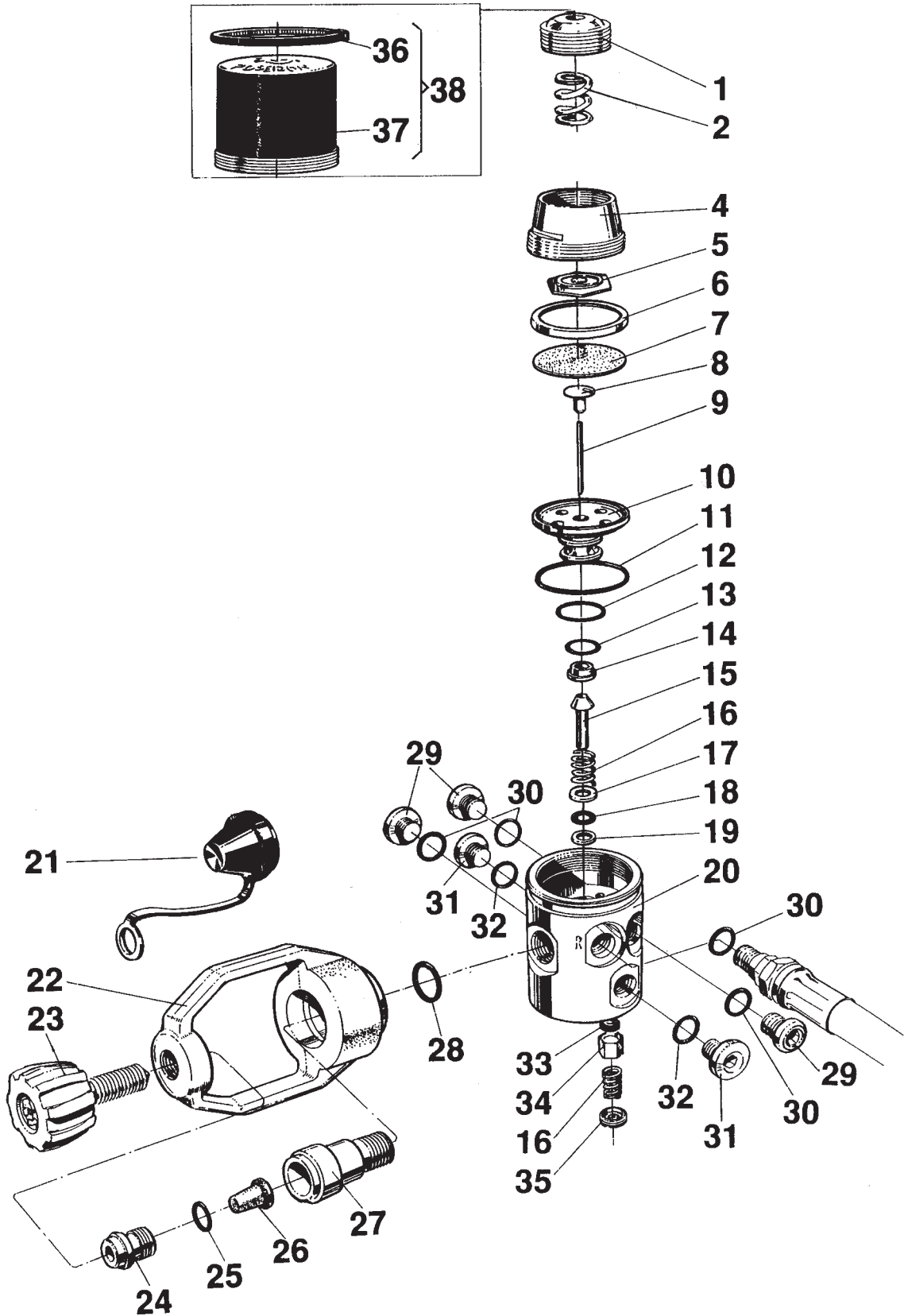
3790 First stage G 5/8"

Pos.	No.	Description
1	3417	Adjusting screw
2	2802-10	Pressure spring, outer
4	2814	Cover for valve housing
5	3419	Diaphragm centre, upper
6	3723	Valve centre, upper
7	3724	Diaphragm
8	2816	Diaphragm centre, lower
9	2817-10	Valve needle
10	3722	Valve centre, lower
11	3728	O-ring
12	2809	O-ring
13	1156	O-ring
14	2803	Valve seat
15	2820	Valve piston
16	1180	Pressure spring 2 pcs
17	3160	Washer, steel
18	1368	O-ring
19	2822	Washer, teflon
20	3721	Valve housing
21	2402	Protective cap
22	3096	Locking screw
23	2656	O-ring
24	1007	O-ring
25	1377	Cup-type filter
26	2827	Connection
27	1839	O-ring
28	2828	Wheel G 5/8"
29	2679	Blind screw UNF 3/8" (3 pcs)
30	2782	O-ring (3 pcs)
31	2680	Blind screw UNF 7/16" (2 pcs)
32	2918	O-ring (2pcs)
33	3726	Valve sealing
34	3725	Valve piston
35	3727	Locking screw
36	2778	Locking strap ¹
37	1287	Anti-freeze cap ¹
38	1286	Anti-freeze cap incl. 36, 37. ¹

1=Accessories



3790-10 First stage YOKE





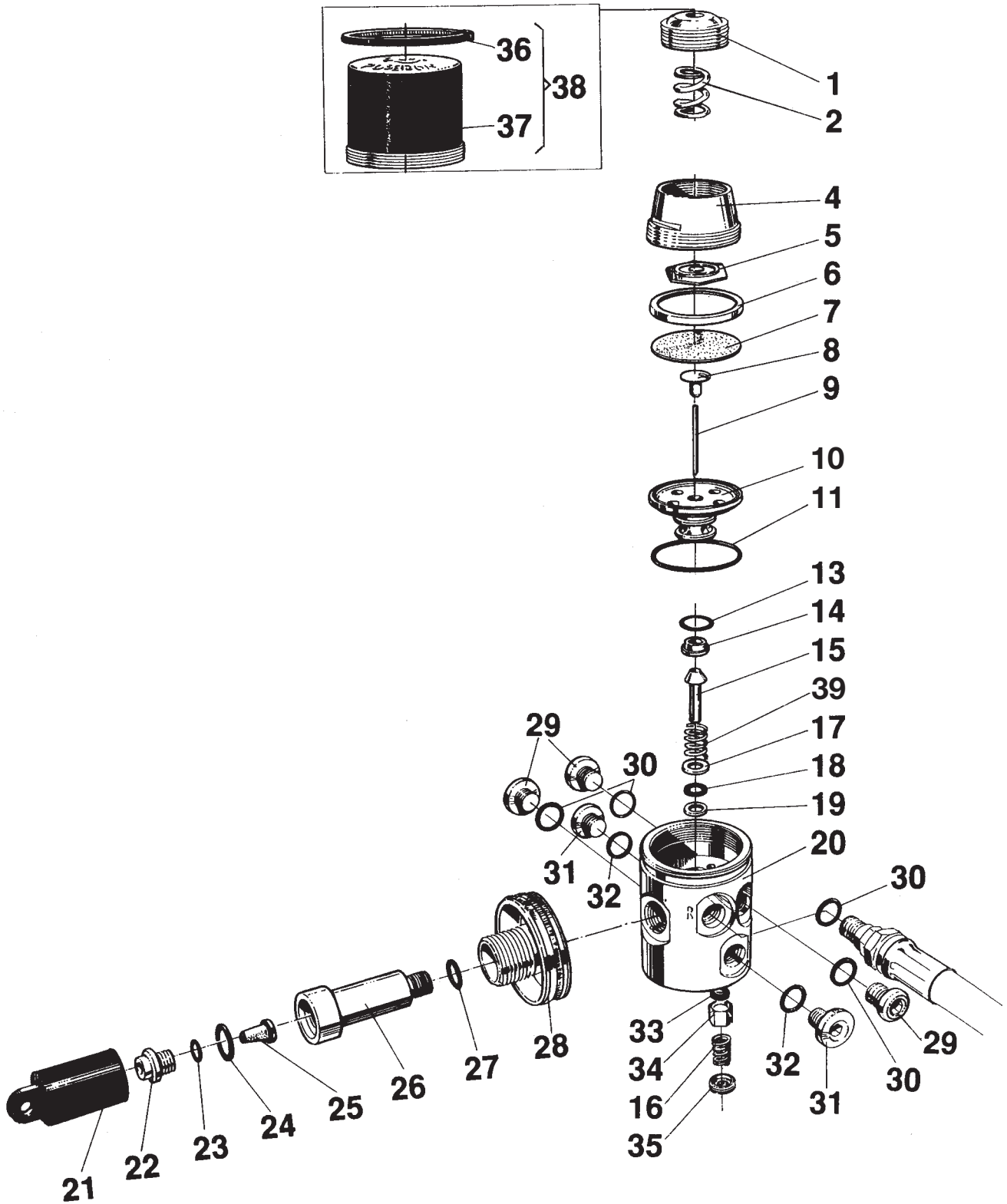
3790-10 First stage YOKE

Pos.	No.	Description
1	3417	Adjusting screw
2	2802-10	Pressure spring, outer
4	2814	Cover for valve housing
5	3419	Diaphragm centre, upper
6	3723	Valve centre, upper
7	3724	Diaphragm
8	2816	Diaphragm centre, lower
9	2817-10	Valve needle
10	3722	Valve centre, lower
11	3728	O-ring
12	2809	O-ring
13	1156	O-ring
14	2803	Valve seat
15	2820	Valve piston
16	1180	Pressure spring 2 pcs
17	3160	Washer, steel
18	1368	O-ring
19	2822	Washer, teflon
20	3721	Valve housing
21	2277	Protective cap
22	3473	Yoke
23	2922	Yoke screw
24	3096	Locking screw
25	2656	O-ring
26	1377	Cup-type filter
27	3472	Connection
28	1839	O-ring
29	2679	Blind screw UNF 3/8" pcs
30	2782	O-ring (3 pcs)
31	2680	Blind screw UNF 7/16" (2 pcs)
32	2918	O-ring (2pcs)
33	3726	Valve sealing
34	3725	Valve piston
35	3727	Locking screw
36	2778	Locking strap ¹
37	1287	Anti-freeze cap ¹
38	1286	Anti-freeze cap incl. 36, 37. ¹

1 = Accessories



3880 First stage G 5/8"





3880 First stage G5/8"

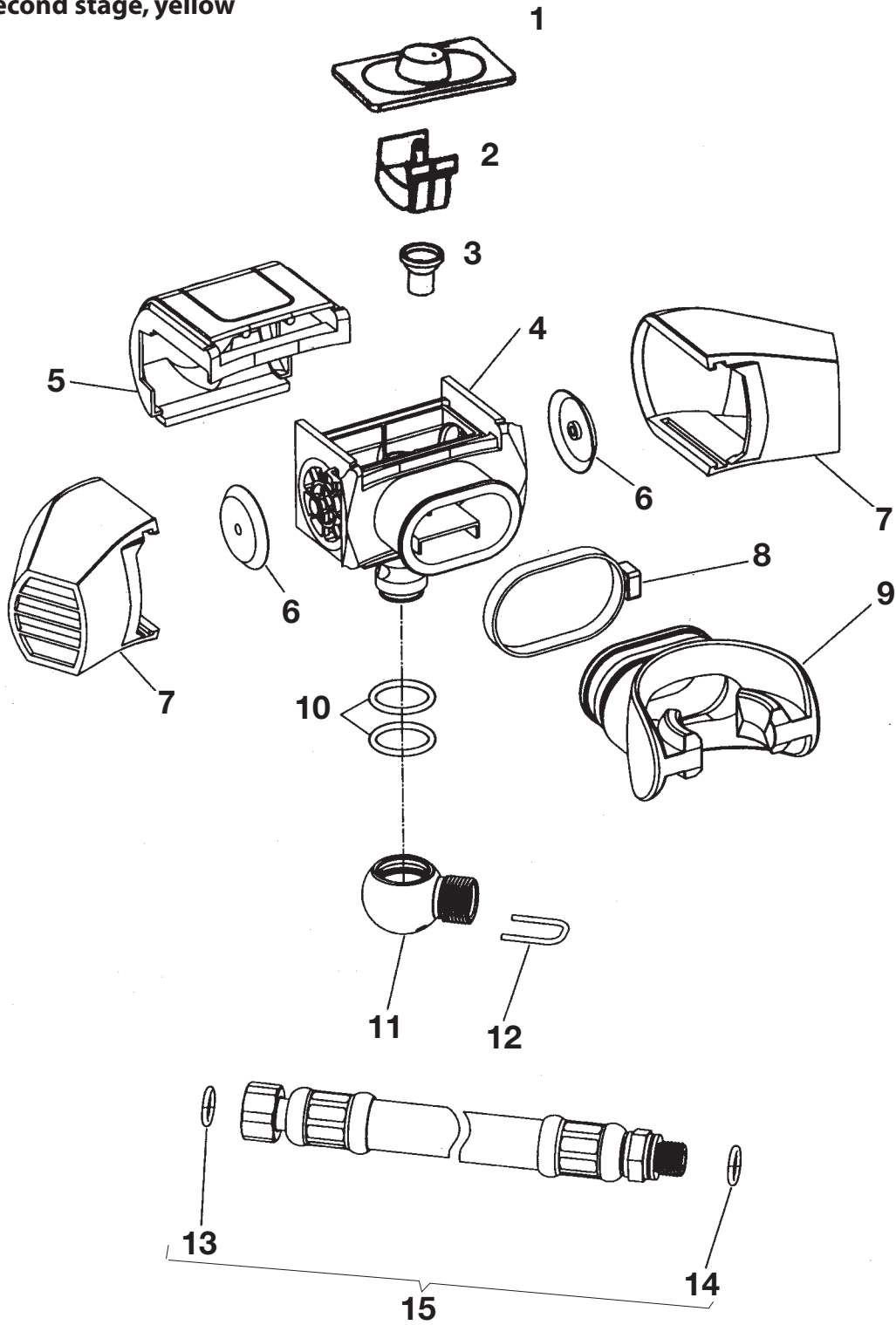
Pos.	No.	Description
1	3417	Adjusting screw
2	2802-10	Secondary spring
4	2814	Cover for valve housing
5	3419	Upper diaphragm centre
6	3723	Valve centre upper for 3720
7	3724	Diaphragm for 3720
8	2816	Diaphragm centre, lower
9	2817-10	Valve needle (29,5) for 3720
10	3722	Valve centre, lower for 3720
11	3728	O-ring
12	2809	O-ring*
13	1156	O-ring
14	2803	Valve seat
15	2820-10	Valve piston
16	1180	Pressure spring
17	3160	Support washer
18	1368	O-ring
19	2822	Washer
20	3721	Valve housing
21	2402	Protective cap G 5/8"
22	3096	Locking screw
23	2656	O-ring
24	1007	O-ring
25	1377	Cup type filter
26	2827	Connection
27	1839	O-ring
28	2828	Wheel G 5/8"
29	2679	Blind screw 300 bar, UNF 3/8 (3 pcs)
30	2782	O-ring (3 pcs)
31	2680	Blind screw 300 bar, UNF 7/16 (2 pcs)
32	2918	O-ring (2 pcs)
33	3726	Valve sealing
34	3725	Valve piston
35	3727	Locking screw
36	2778	Locking strap ¹⁾
37	1287	Rubber cap ¹⁾
38	1286	Anti freeze cap ¹⁾
39	2923	Pressure spring

¹⁾ accessories

* only for first stage 3790



3755 Second stage, black
3755 30 Second stage, yellow





3755 Second stage, black

3755 30 Second stage, yellow

Pos.	No.	Description
1	3746	Diaphragm
2	3756	Servo valve
3	3743	Piston
4	3736	Valve housing
5	3738 10	Cover, black
6	3748	Exhaust valve (2 pcs)
7	3737 10	Diffuser, black (2 pcs)
	3737 30	Diffuser, yellow (2 pcs)
8	1167	Locking strap
9	3202	Mouth-piece
10	3734	O-ring (2 pcs)
11	3732	Swivel
12	3733	Securing clip
13	1156	O-ring
14	2782	O-ring
15	3735	Low pressure hose 70cm, incl. 14, 16
	3735 10	Low pressure hose 90cm, incl. 14, 16